

Stock Code: **20330MG-SAT/FST**

Collection: Oden

PRODUCT INFORMATION

Base: 20330 Parent: 20330MG
Mounting Type: Wall UPC: 641594218381
Finish: Satin
Diffuser: Frosted

PRODUCT MEASUREMENTS

| FIXTURE | BACKPLATE / CANOPY |
|------------------|--------------------|
| Length: | Length 10.25" |
| Width: 10.25" | Width: 10.25" |
| Diameter | Diameter: |
| Height: 10.25" | Height: 1.25" |
| Extension: 4.75" | |
| Overall Height: | |

TECHNICAL SPECIFICATIONS

SPECIFICATIONS

Frame Material: Aluminum
Diffuser Material: Glass
Lamping Type: E-26 (Incandescent) Jbox: Standard
Lamping Base: E-26 Lamp Wattage: 60 W
Lamp Quantity: 2 Total Wattage: 120 W
Voltage: 120v Lamps Included: No

QUALIFICATIONS

Location Rating Wet
Certification: ETL (US/Canada) Listed
ADA Compliant: No Energy Star: No
JA8 Compliant: No Emergency Lighting: No
Marine Grade Finish: Yes
Warranty: 5 Year

PHOTOMETRICS

Dimmable: Yes Nominal Lumens N/A
CRI: N/A Delivered Lumens: N/A
CCT: N/A
Recommended Dimmers:
(TRIAC)Any Standard Dimmer

ADDITIONAL NOTES

Custom Finish 5 Piece Minimum Order Quantity

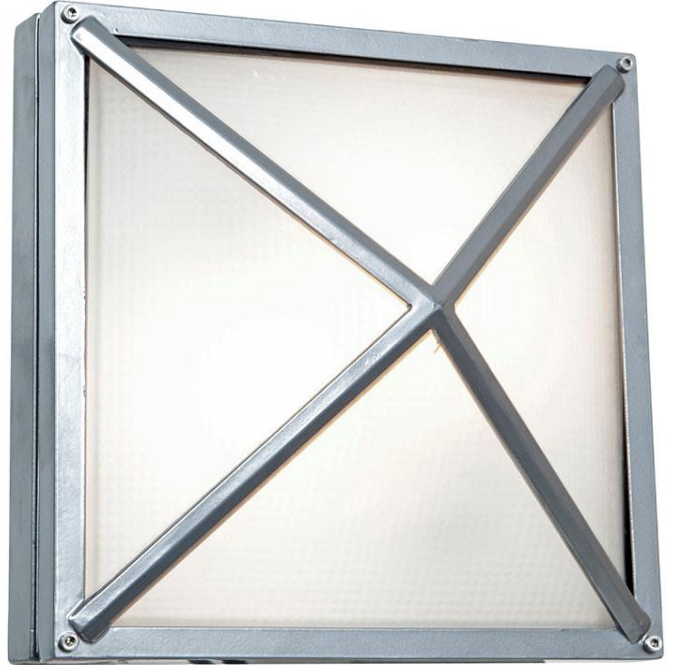
Project Name: _____

Location: _____

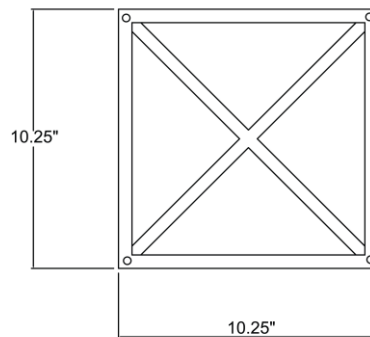
Type: _____

Quantity: _____

Notes: _____



LINE DRAWING



IES FILE

In addition to Access Lighting's purchase and warranty terms and conditions, by signing below or placing an order, you agree that you are authorized to bind the entity placing any order and acknowledge the following: All of sizes and measurements are approximate and all images are for illustrative purposes only. In the event of an inconsistency, the "Product Measurements" section controls. There also may be slight differences in the colors and designs compared to the displayed and printed images.

Signature: _____

Print Name _____ Date: _____

Toll Free 800-828-5483 www.AccessLighting.com

14410 Myford Road, Irvine, CA 92606

The information is subject to change without notice. 12/22/2022 20330MG-SAT_FST.pdf

